

kj's Flashlight Gallery

Mass Production Lights

- [Arc Flashlights](#)
- [SureFire Flashlights](#)

- [CMG Infinity](#)
- ElektroLumens
Tri-Star 3X3W
- [GENTOS SF-101
and SF-501](#)
- [INOVA X5](#)
- [LongBow Micra](#)
- [PrincetonTec Surge](#)
- [Vital Gear bodies for
SureFire E series
flashlights](#)

Modified / Custom Lights

- [Arc AA mod](#) by
Silver Legacy
- [Arc AAA and
Solitaire mod](#) by
LED_ASAP
- [Baby Pin](#) by MR
Bulk
- [CR2II](#) by tvodrd
- [Fire~Fly](#) by DSpeck
- [Fire~Fly Rev.2](#) by
DSpeck

[Home](#) > SureFire KL3 mod

SureFire KL3 mod

- [Ichishiki](#) by Katokichi
- [Ichishiki Limited Edition](#) by Katokichi and ARC mania
- [Keylux](#) by Chief_Wiggum
- [LionHeart](#) by MR Bulk
- [Luxeon For Turbo Head](#) by Katokichi
- [Maglite 2C mod](#)
- [Maglite HID mod](#) by Silver Legacy and ufokillerz
- [McCapsule and Longbow PR](#) by McGizmo
- [McLux and McLux Related](#)
- [McLux Aleph Series](#) by McGizmo
- [McLux Aleph Tailcap](#) by McGizmo
- [McE2S](#) by McGizmo
- [Mini Maglite mod w/Sandwich Module](#)
- [Nano-Mate](#) by lambda
- [NLS](#) by tvodrd
- [Pelican M6 mod / McModule](#)
- [ROF-1](#) by RUU, ocan and fixer



KL3 with a modified Pelican M6 reflector. Mr "fixer", who is a machinist of [ROF-1](#), kindly made a turned down reflector and some spacers for me. I changed resistors on the stock KL3 circuit to deliver 1 amp to LED and replaced the LED with Luxeon III high dome.

Now it records 2500 lux at 1 meter :)

- [Solitaire mod](#) by RUU, ocan and fixer
- [Super Flashlight 1](#) by ARC mania
- [Super Flashlight 2](#) by ARC mania
- [SureFire 6P mod](#) by McGizmo
- [SureFire E1E mod](#) by ARC mania
- [SureFire KL1 mod](#)
- [SureFire KL3 mod](#)
- [SureFire L1 mod](#) by McGizmo
- [SureFire L1 Head mod](#)
- [SureFire Z57 Black Anodized](#)
- [Var-I-Pin \(VIP\) by MR Bulk](#)

Miscellaneous

- [Luxeon](#)
- [Optics](#)
- [Sense Resistor Calculator](#)



Configuration



KL3 + McGizmo E2C + McLux 3x123

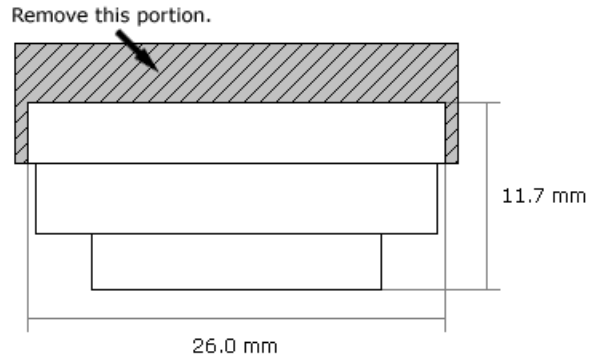
Specification

Base..... SureFire KL3
Converter..... Stock circuit modified to deliver 1 amp
LED..... Luxeon III (TV1L) Lambertian
Optics..... Modified Pelican reflector
Battery..... CR123A x 2 or 3

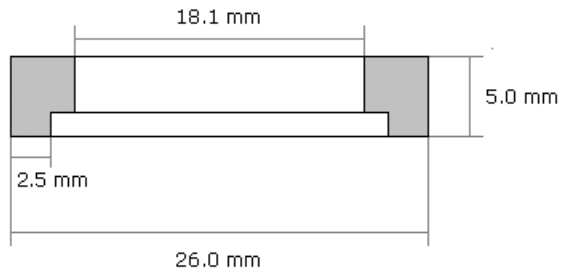




Reflector Modification



Bottom Spacer (Derlin)



Top Spacer (Rubber)

