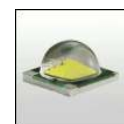


IRIS-XM LENS FOR CREE XM-L LED



APPLICATIONS:
TORCH LIGHTS
DOWNLIGHTS
SPOTLIGHTS



- Specially designed for Cree XM-L LED
- Lens material optical grade PMMA with high UV and temperature resistance (105°C/220°F).
- Holder material PC. Allows use of high current and temperature conditions.
- Tape version comes with double sided adhesive tape
- Please check fastening details from this link:
http://www.ledil.com/datasheets/DataSheet_TAPE.pdf
- Screw version can be screwed from the bottom of the PCB
- Positioning pins to ensure right positioning.
- Medium and Oval sub lenses available

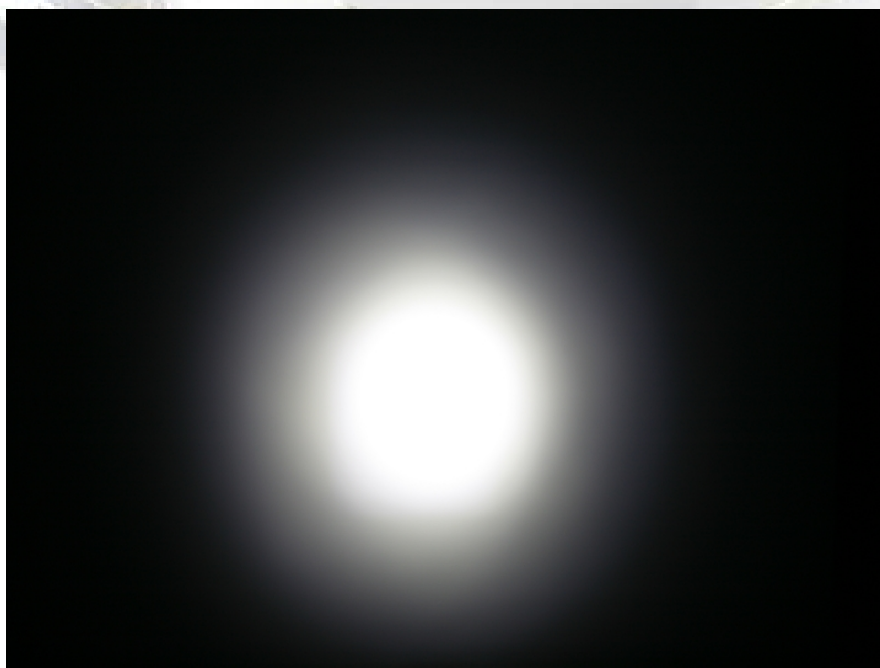
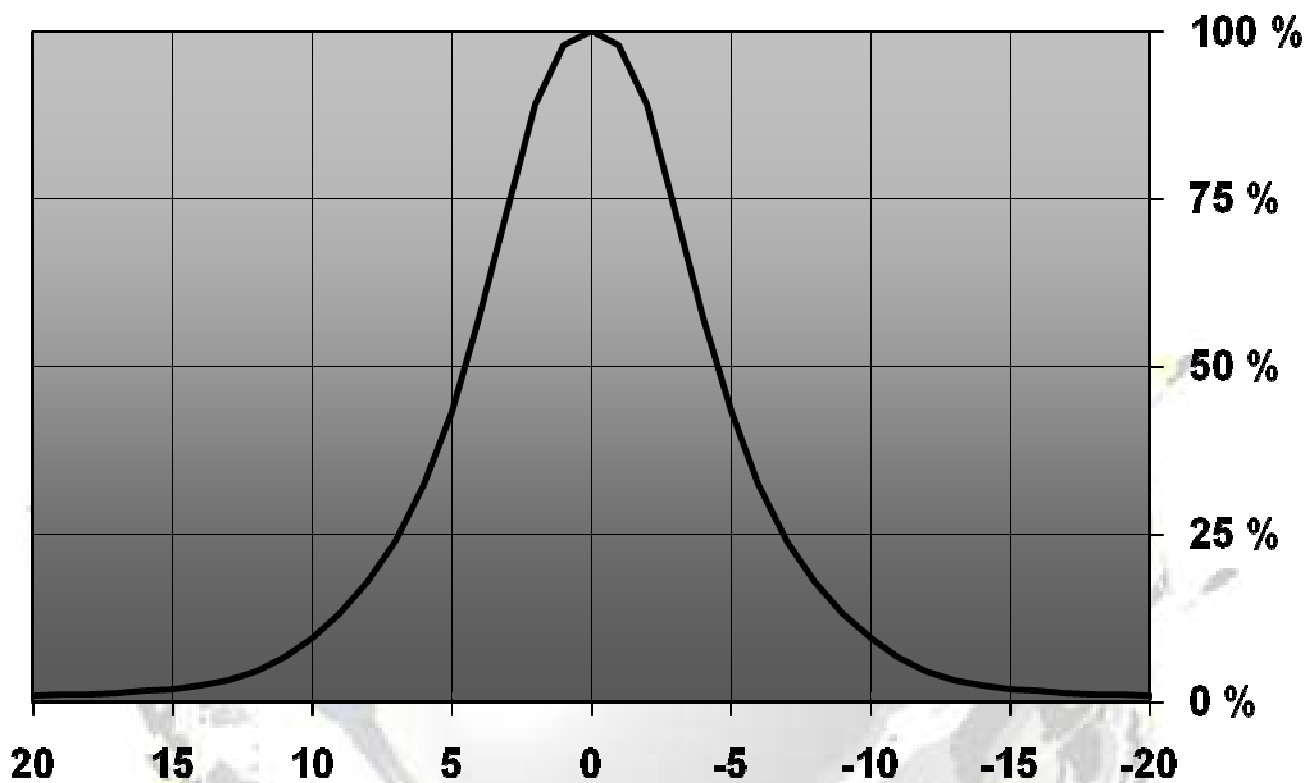
LENS TYPES

NAME	ORDERING CODE	FWHM Angle
Iris-XM Screw version	CA11358_Iris-XM-L-screw	±4°
Iris-XM Tape version	CA11362_Iris-XM-L-tape	±4°

NOTE: DELIVERED UNASSEMBLED

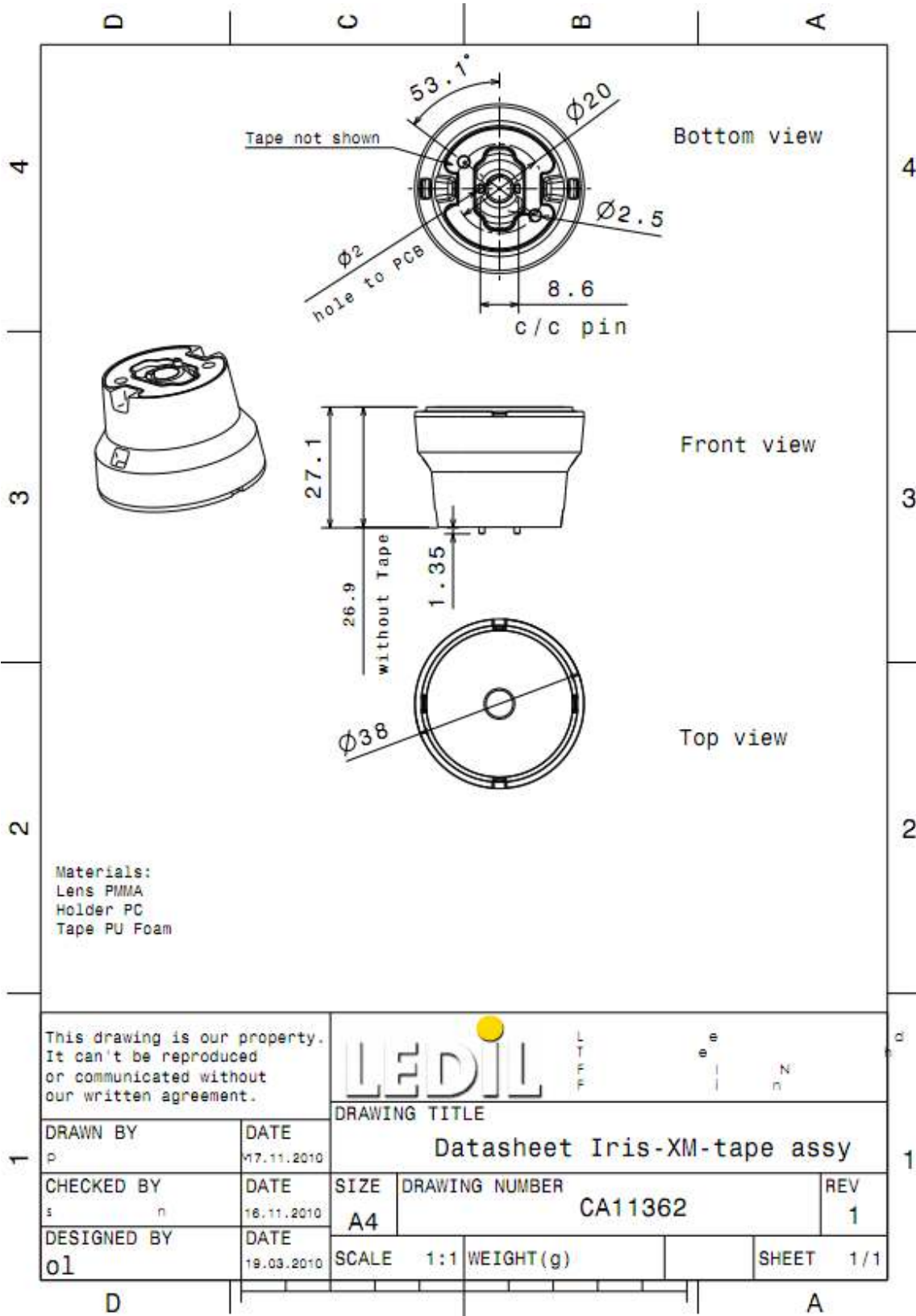
MEASUREMENTS

Relative Intensity of CA11358_Iris-XM-L-screw



© Ledil Oy – PRELIMINARY - Subject to change without prior notice

DRAWINGS



© Ledil Oy - PRELIMINARY - Subject to change without prior notice