

ULTRALIFE[®] Batteries

We. Are. Power.[™]

BA-5372/U

Technical Datasheet

The Ultralife Advantage

Better technology. Our lithium-based (lithium-manganese dioxide, lithium ion and lithium polymer) technologies enable us to design leading-edge power solutions for the world's most demanding applications.



FEATURES

- High energy density
- No voltage delay
- Wide operating temperature range
- Lightweight
- 10-year shelf life
- Long operating life

APPLICATIONS

- Consumer Telematics
- Commercial Telematics
- Search & Rescue Devices
- Military Communications, Detectors & Imaging
- Medical Devices

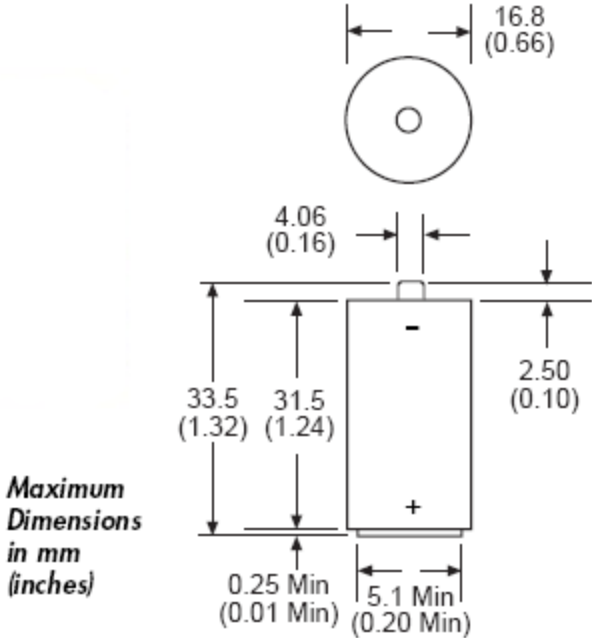
**For use only in approved military devices.
Not for use in flashlights.**

SPECIFICATIONS

Part No	UB1733
NSN	6135-01-214-6441
Voltage Range	4.0 to 6.6 V
Average Voltage	6.0 V
Nominal Capacity	500 mAh @ 4.5 mA to 4.0 V @ 23° C
Max. Discharge	160 mA continuous
Pulse Capability	Up to 300 mA Varies according to pulse characteristics, temperature, cell history and the application. Consult Ultralife.
Weight	20.0 grams
Operating Temp	-40° C to 72° C
Storage Temp	-40° C to 95° C
Exterior/Housing	Hermetic Ni-plated steel can with Mylar sleeve
Terminals/Connector	Nickel plated contacts
Safety	Material Safety Datasheet MSDS008 Batteries Manufactured before 2/07 MSDS121 Batteries Manufactured after 1/07
Transportation	Excepted from Regulations – see note 1.
Export License	ITAR (International Traffic in Arms Regulations) export license required to export from U.S.
Harmonized Tariff Code	8506.50.0000

Note 1	For a complete description of transportation regulations and definitions of the transportation classifications "Excepted" and "Class 9," refer to the Ultralife web site at www.ultralifebatteries.com .
--------	--

DIMENSIONS



PERFORMANCE GRAPHS

